

Plasterboard fi xing metal GKM

The self-tapping rapid-assembly fi xing for sandwich-type plaster board.

OVERVIEW



Plasterboard fixing metal **GKM**



Plasterboard screw with pan head



Plasterboard screw with countersunk head

Suitable for:

- Gypsum plasterboard

For fi xing of:

- Pictures
- Lamps
- Skirting
- Electric switches
- Key boxes
- Shelves for spices

DESCRIPTION

Cavity fixings

- The self-tapping metal fi xing GKM taps itself mechanical interlock in plasterboard.

Advantages/benefits

- Sharp, self-tapping thread enables safe fi xing.
- Installation with a normal bit means that no special setting tool is necessary.

- No preliminary drilling necessary.
- Fixing design allows it to be screwed in without limit.
- Short fi xing length means little space required in and behind the board.

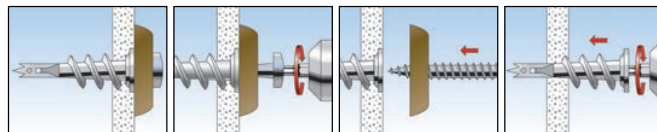
INSTALLATION

Type of installation

- Pre-positioned installation

Installation tips

- Not suitable for tiled plasterboard.
- Adapted for wood, self-tapping and chipboard screws of 4.0 to 5.0 mm diameter.
- In gypsum fi breboards it is necessary to drill a hole first (\varnothing 8 mm).
- Restrict the torque if using electric screwdrivers.



TECHNICAL DATA

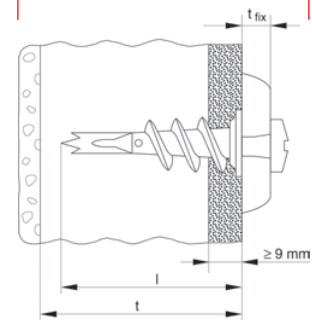


Plasterboard fixing metal **GKM**

Type	Art.-No.	anchor lengthmin. thickness to fi rst supporting layer		max. usable length	screwqty. per box	
		l [mm]	t [mm]		t _{fi x} [mm]	d _s x l _s [mm]
GKM	024556	31	35	-	4 - 5100	
GKM 12	1) 040432	31	35	12	4.5 x 35100	
GKM 27	2) 040434	31	35	27	4.5 x 50100	

1) Supplied with plasterboard screws with pan head.

2) Supplied with plasterboard screws with countersunk head.



LOADS

Recommended loads in N_{rec} [kN].

Plasterboard fi xing	GK / GKM
Plasterboard 9.5 mm	0.07
Plasterboard 12.5 mm	0.08
Plasterboard ≥ 2 x 12.5 mm	0.11

FIXING PRINCIPLES

In detail: The general principles for installation, the correct drilling procedure and much more on page 26.